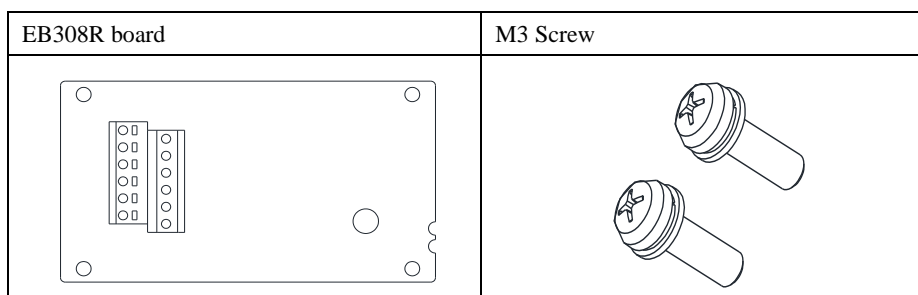
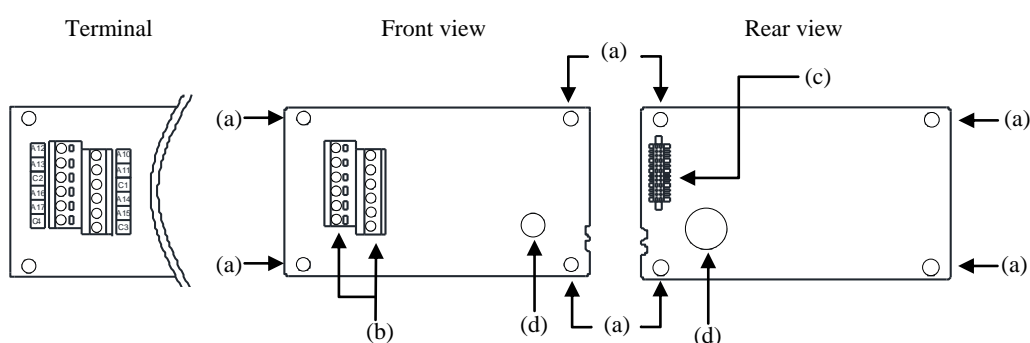


EB308R Installation Instructions for IO Expansion Card

■ Product Confirmation



■ Component Name

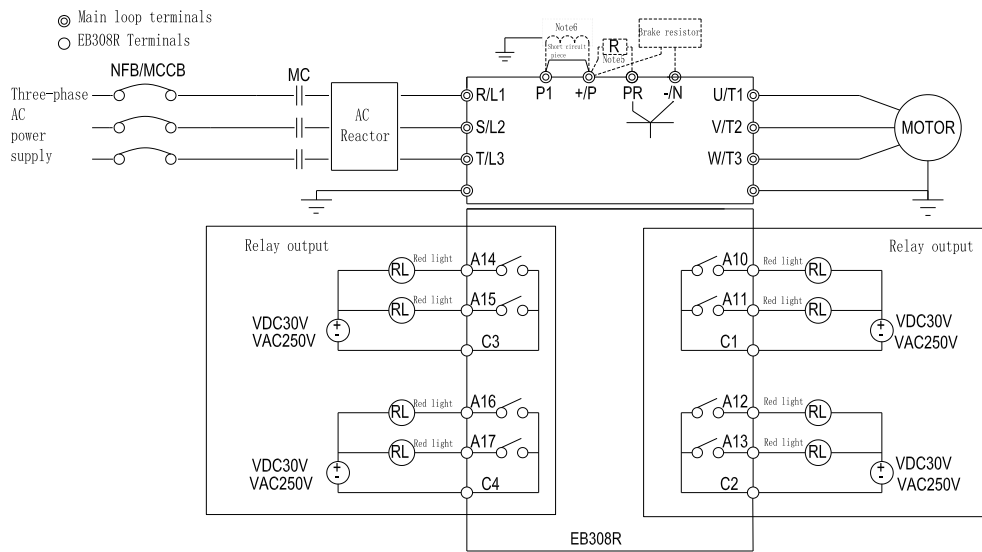


No.	Name	Instructions
a	Mounting hole	Use M3 screw to install the EB308R board to the inverter
b	Terminal	Connect wiring for customer
c	Connector	Connect to the inverter
d	Plastic handle	Remove EB308 board

■ Electrical Specifications

Terminal form	Terminal name	Function instructions	Terminal specification
Relay outputs	A10, C1	Multi-function relay outputs 8 groups; A-C is the normally open contact.	Maximum voltage: 30VDC or 250VAC Maximum current: Resistive load:5A NO Inductive load: 2A NO (cosΦ=0.4)
	A11, C1		
	A12, C2		
	A13, C2		
	A14, C3		
	A15, C3		
	A16, C4		
A17, C4			

■ Wiring Schematic Diagram



■ Installation(SA3)

Step1: As the Figure 1 shows, please insert EB308R into the control board SLOT 2 or SLOT 3, not SLOT 1.

Step2: Please lock the two M3 screws with screwdriver according to the torque of 4-6kgf.cm and the direction showed in Figure 2.

Note: When removing EB308R board, please first remove the right and left M3 screws, and then lift the plastic handle by hand.

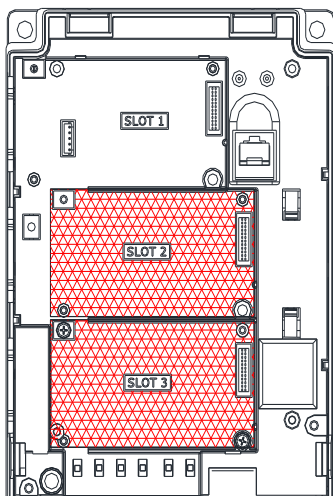


Figure 1

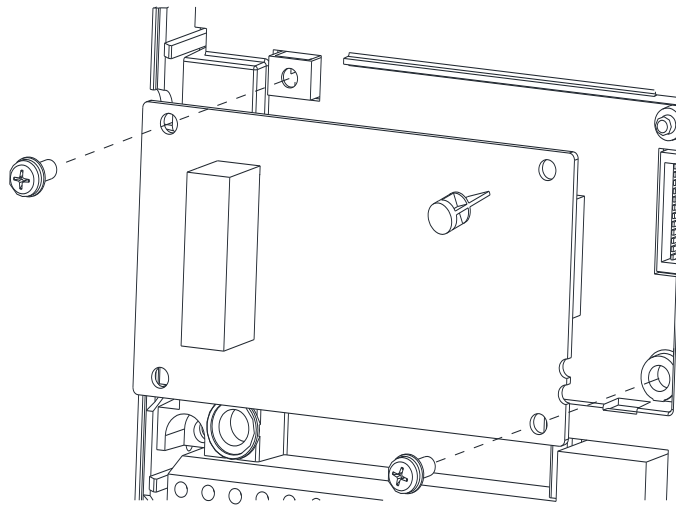


Figure 2

■ Installation (SE3)

Step 1 : Turn off the power.

Step 2 : Open the top cover of the inverter.

Step 3 : Use the front rear as support and slide (a) in by pressing down as figure 1 shown.

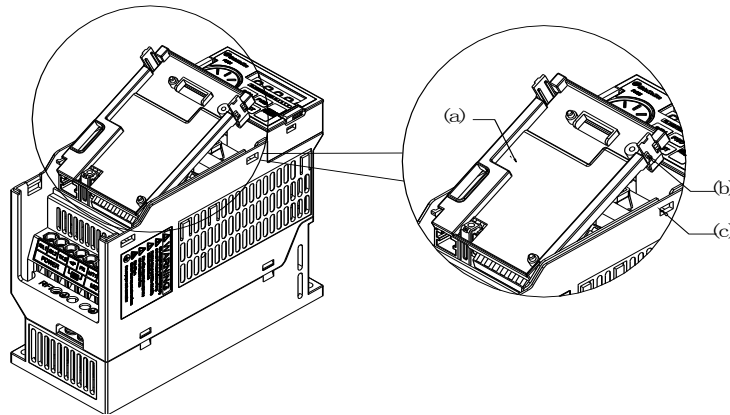


Figure 1

Note: (a)-Optional Card Housing; (b)-Hook, (c)-Slot

Step 4: Line up the connector (c) and (d), and press down the EB308R expansion card to the right position.

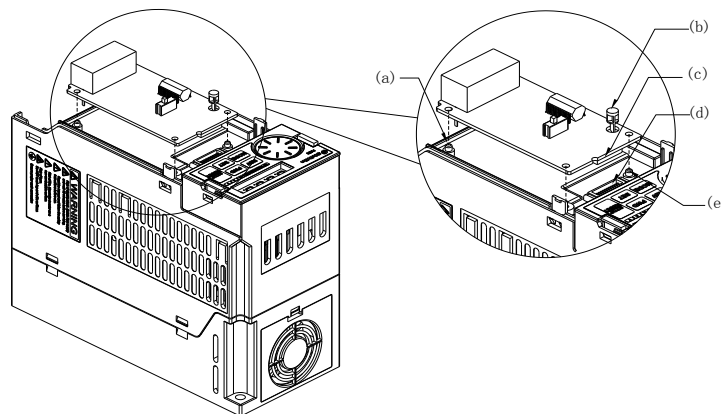


Figure 2

(a) (e)-Supporter, (b)-Plastic Handle, (c)-Male connector, (d)-Female connector

Step 5: Tighten two M3 screws with 4-6kgf.cm torque on the card. Install the cover after wiring.

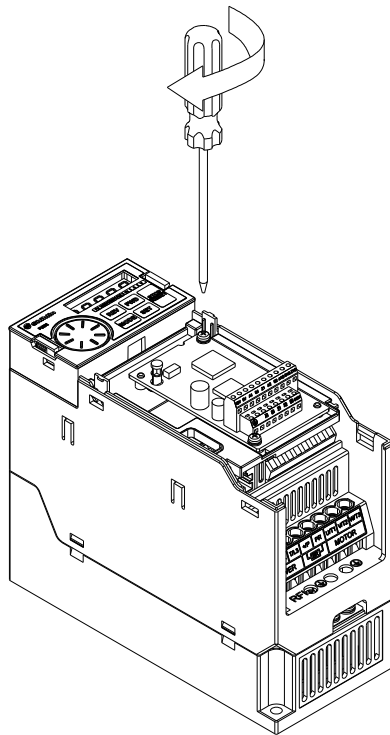


Figure 3

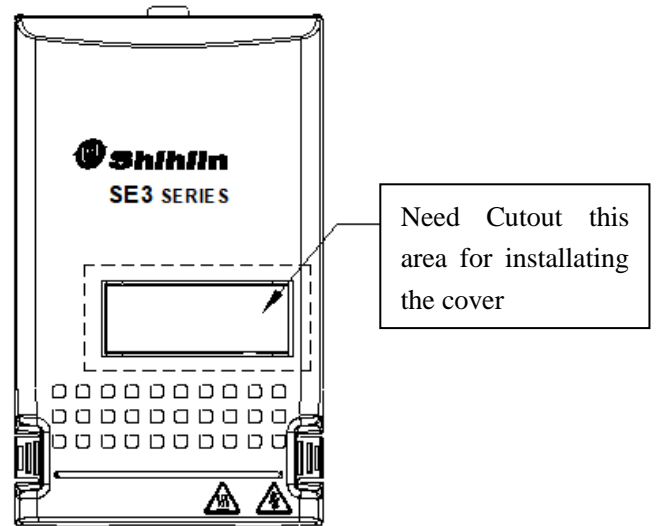


Figure 4

6. Others

►To improve our products, the parameters and contents may be modified, please contact the agent or refer to Shihlin websites (<http://automation.seec.com.tw/>) to download the latest version.

